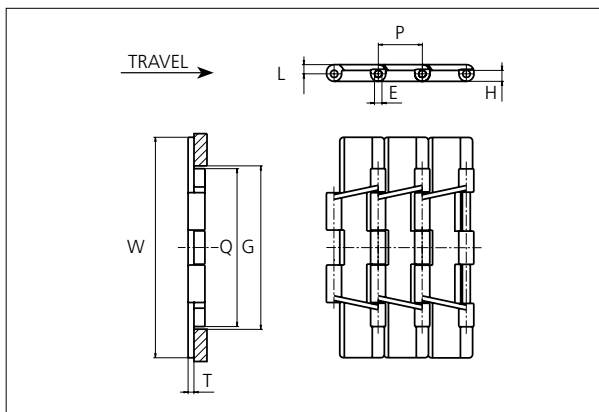




Slat Top Plastic Chain

Series **uni 821** Type -



Slat Top Plastic Chain
 Straight running chain
 Pitch: 38.1 mm (1.50 in)
 Backflex radius:
 75.0 mm (3.00 in)
 Permissible tensile strength:
 POM material 3000 N (674 lbf)

 Standard shipping lengths:
 boxes of 80 links
 = 3.048 m (10.0 ft)

STANDARD

E		G		H		L		P		Q		T	
mm	in	mm	in	mm	in	mm	in	mm	in	mm	in	mm	in
6.4	0.25	140.0	5.51	9.5	0.37	8.0	0.31	38.1	1.50	136.5	5.37	5.0	0.20

All dimensions are for chains in POM material.

	Width (W)		Material & color	Pin material	Weight	
	mm	in			kg/m	lb/ft
K750	190.5	7.50	POM-D G POM-LF BR	SS304	2.6	1.74
			POM-SLF DG			
K1000	254.0	10.00	POM-D G POM-LF BR	SS304	3.1	2.08
			POM-SLF DG			
K1200	304.8	12.00	POM-D G POM-LF BR	SS304	3.4	2.29

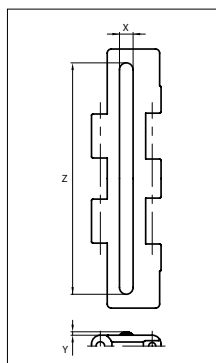
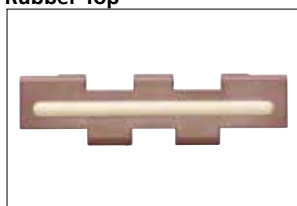
Non standard material and color: See uni Material and Color Overview.

Non standard pin material: See uni Material and Color Overview.

STRAIGHT RUNNING

Accessories

Rubber Top



When ordering, please state the required distance between the Rubber Top.

Other Non Standard rubber profiles:
 See uni Rubber Profile Overview.

Width	Link material	Rubber material	Z		X		Y	
			mm	in	mm	in	mm	in
K750	POM-LF BR	05 I	170	6.69	10	0.39	2.5	0.09
K1000	POM-LF BR	05 I	200	7.87	10	0.39	2.5	0.09
K1200	POM-LF BR	05 I	295	11.61	8	0.31	2.5	0.09

PITCH 38.1 MM/1.50 IN

Sprocket

No. of teeth	Pitch diameter		Overall diameter		Min. ø bore		Max. ø bore		Hub diameter		Dimension A		Dimension B		Molded Cast Iron	Machined PA6
	mm	in	mm	in	mm	in	mm	in	mm	in	mm	in	mm	in		
Z19	117.3	4.62	117.0	4.61	20.0	0.79	70.0	2.76	0	0	58.7	2.31	64.5	2.54	✓	✓
Z21	129.2	5.09	130.0	5.12	20.0	0.79	70.0	2.76	0	0	65.0	2.56	70.5	2.78	✓	✓
Z23	141.2	5.56	142.0	5.59	20.0	0.79	70.0	2.76	0	0	71.2	2.80	76.5	3.01	✓	✓
Z25	153.2	6.03	155.0	6.10	20.0	0.79	70.0	2.76	0	0	77.4	3.05	82.5	3.25	✓	✓
Z27	165.2	6.50	167.0	6.57	20.0	0.79	100.0	3.93	0	0	83.6	3.29	88.5	3.48	✓	✓
Z29	177.2	6.98	179.0	7.05	20.0	0.79	110.0	4.33	0	0	89.8	3.54	94.6	3.72	✓	✓
Z31	189.3	7.45	192.0	7.56	20.0	0.79	120.0	4.72	0	0	95.9	3.78	100.6	3.96	✓	✓

Two part sprocket

No. of teeth	Pitch diameter		Overall diameter		Min. ø bore		Max. ø bore		Hub diameter		Dimension A		Dimension B		Molded PA6 LG
	mm	in	mm	in	mm	in	mm	in	mm	in	mm	in	mm	in	
Z25	153.2	6.03	155.0	6.10	30.0	1.18	40.0	1.57	58.0	2.28	77.4	3.05	82.5	3.25	✓

Cast iron sprocket



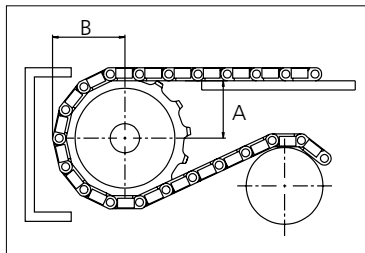
Machined sprocket



Molded two part sprocket



Non standard material and color:
See uni Material and Color Overview.



Please ensure that sufficient size shaft and keyway are chosen for corresponding load.

Other sprocket sizes are available upon request

Width of tooth: 79.4 mm/3.13 in

Width of sprocket: 79.4 mm/3.13 in

uni Retainer Rings: See uni Retainer Ring data sheet

uni Idler: See uni Idler data sheet

uni Guide Rings can be mounted on cast iron and machined sprockets. See uni Guide Rings data sheet.

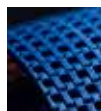
uni 821/160624



Conveyor Belts



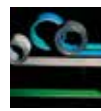
Seamless Belts



Modular Belts



Timing Belts



Transmission Belts



Fabrication & service

Expert advice, quality solutions and local service for all your belting needs
www.ammeraalbeltech.com

Ammeraal Beltech Modular A/S
Hjulmagervej 21
DK-7100 Vejle

T +45 7572 3100
F +45 7572 3348
admin@unichains.com
www.unichains.com

This information is subject to alteration due to continuous development. Ammeraal Beltech will not be held liable for the incorrect use of the above stated information. This information replaces previous information. All activities performed and services rendered by Ammeraal Beltech are subject to general terms and conditions of sale and delivery, as applied by its operating companies.