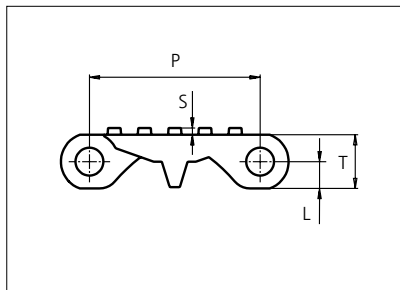
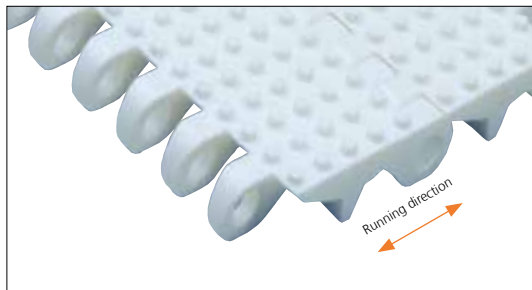




Plastic Modular Belt

Series **uni MPB** Type **N**



Straight running belt
 Nominal pitch: 50.8 mm (2.00 in)
 Surface type: No Cling
 Surface opening: Closed
 Backflex radius: 65.0 mm (2.6 in)
 Pin diameter: 8 mm (0.31 in)

Belt material & color	PE-I	mm	in	mm	in		
	P (Nominal)					50.8	2.00
Pin material & color	PE	L	8.0	0.31	T	16.0	0.63

Non standard material and color: See uni Material and Color Overview.

Alternative pin and lock materials: Pin: PA6.6 PP PE PBT SS304 Lockpin: PA6.6 PBT Trilock: PA6.6

uni MPB N is available with a molded indent of 35.0 mm (1.38 in) in both sides.

Belt width		Permissible tensile force (Belt/pin material)		Belt weight (Belt/pin material)		*Min. No. drive sprocket per shaft	Number of wear strips (Min. No.)	
		PE-I/PE		PE-I/PE			**Carry (pcs)	**Return (pcs)
mm	in	N	lbf	kg/m	lb/ft			
151	5.9	1963	441	1.3	0.89	2	2	2
202	8.0	2626	590	1.8	1.19	2	2	2
252	9.9	3276	736	2.2	1.49	2	2	2
302	11.9	3926	883	2.7	1.79	3	3	2
353	13.9	4589	1032	3.1	2.09	3	3	2
403	15.9	5239	1178	3.5	2.38	3	3	2
453	17.8	5889	1324	4.0	2.68	4	4	2
504	19.8	6552	1473	4.4	2.98	4	4	2
554	21.8	7202	1619	4.9	3.28	4	4	2
604	23.8	7852	1765	5.3	3.57	5	5	3
655	25.8	8515	1914	5.8	3.87	5	5	3
705	27.8	9165	2060	6.2	4.17	5	5	3
755	29.7	9815	2206	6.6	4.47	6	6	3

Additional standard belt widths are available in steps of 50.3 mm (1.98 in.) Additional non-standard belt widths are available in steps of 16.8 mm (0.66 in).

1963	77.3	25519	5737	17.3	11.61	14	14	7
------	------	-------	------	------	-------	----	----	---

Additional standard belt widths are available in steps of 50.3 mm (1.98 in.) Additional non-standard belt widths are available in steps of 16.8 mm (0.66 in).

2970	116.9	38610	8680	26.1	17.56	20	20	10
------	-------	-------	------	------	-------	----	----	----

General belt tolerance is +0/-0.4% at 23°C/73°F and 50% RH. For exact belt width contact Customer Service. Non standard belt width on request.

*Max. Load per Drive Sprocket. Belt material: POM-DI with snub roller 2000 N (450 lbf) without snub roller 1250 N (281 lbf).

**Max. Spacing between wear strips, Carry: 152 mm (6 in); Return: 304 mm (12 in).

= Single Link



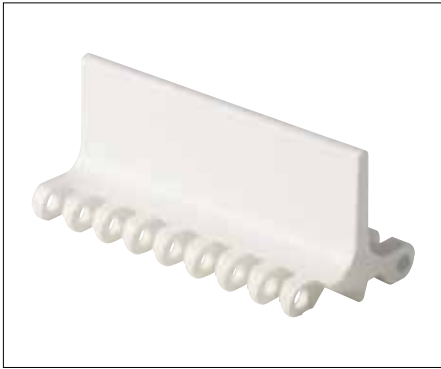
STANDARD

STRAIGHT RUNNING

PITCH 50.8 MM/2.00 IN

Accessories

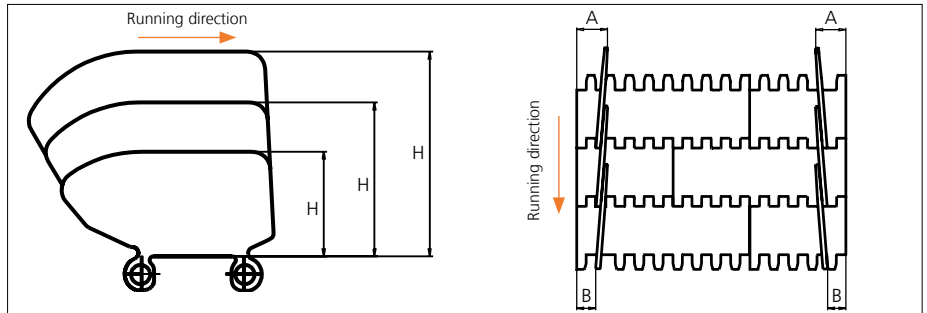
Flight



See separate uni MPB series Flight datasheet.

Accessories

Side Guard



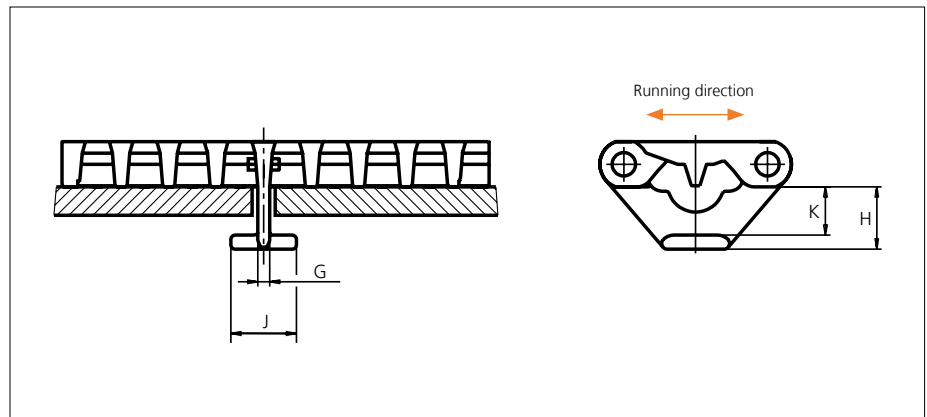
Type	Side Guard Material & color	H		A		B	
		mm	in	mm	in	mm	in
Closed	PE-I B N	50.8	2.00	32.0	1.26	16.0	0.63
	PP-I W B	76.2	3.00				
		101.6	4.00				

*34.0 mm (1.34 in) combined with flight. Increment: 8.4 mm (0.33 in).

Note: Backflex radius when Side Guard are used: 200.0 mm (7.90 in).

Accessories

Tab



Type	Tab Material & color	G		J		K		H	
		mm	in	mm	in	mm	in	mm	in
Bottom Hold Down	POM-DI W	4.2	0.17	23.2	0.91	17.0	0.67	22.0	0.87

Note: When using taps, please verify sufficient clearance to the shaft. Max. shaft diameter = Sprocket pitch diameter - 63.5 mm (2.50 in). When using square shafts, please verify that the diagonal does not exceed max. diameter. Example: Sprocket z = 6: Max. shaft diameter 101.6 - 63.5 = \varnothing 38.1 mm (4.00 - 2.50 = \varnothing 1.4 in).

Note: When using a belt system with tabs, the temperature should be constant. Please note that the tabs are not always placed in the middle of the belt.

Non Standard material and color: See uni Material and Color Overview.



Conveyor Belts



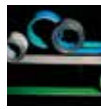
Seamless Belts



Modular Belts



Timing Belts



Transmission Belts



Fabrication & service

Expert advice, quality solutions
and local service
for all your belting needs
www.ammeraalbeltech.com

Ammeraal Beltech Modular A/S
Hjulmagervej 21
DK-7100 Vejle

T +45 7572 3100
F +45 7572 3348
admin@unichains.com
www.unichains.com

This information is subject to alteration due to continuous development. Ammeraal Beltech will not be held liable for the incorrect use of the above stated information. This information replaces previous information. All activities performed and services rendered by Ammeraal Beltech are subject to general terms and conditions of sale and delivery, as applied by its operating companies.