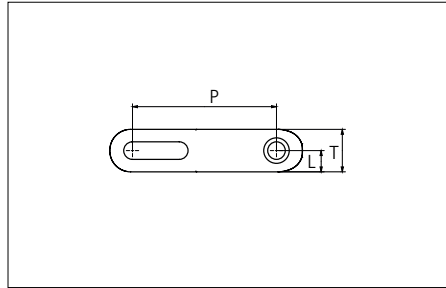




Plastic Modular Belt

Series **uni Flex L-OSB** Type **65% Open (Radius 1.6)**



Sideflexing belt
 Nominal pitch: 50.8 mm (2.00 in)
 Surface type: Open
 Surface opening: 65%
 Backflex radius: 65.0 mm (2,56 in)
 Pin diameter: 6.0 mm (0.24 in)
 Min. inside radius: R1.6 x belt width

Belt material & color	POM-D B	PP B		mm	in		mm	in	
				P (Nominal)	50.8	2.00	T	15.0	0.59
Pin and lock material & color	PA6.6 B			L	7.5	0.29	-	-	-

Non standard material and color: See uni Material and Color Overview.
 Alternative pin and lock systems and materials: Contact Customer Service.

Belt width		Permissible tensile force (Belt/pin material)								Belt weight (Belt/pin material)				*Min. No. drive sprocket per shaft	Number of wear strips (Min. No.)	
		POM-D/PA6.6				PP/PA6.6				POM-D/PA6.6		PP/PA6.6			**Carry (pcs)	**Return (pcs)
		Straight sections		Curve sections		Straight sections		Curve sections		kg/m	lb/ft	kg/m	lb/ft			
mm	in	N	lbf	N	lbf	N	lbf	N	lbf	kg/m	lb/ft	kg/m	lb/ft			
608	23.9	8579	1929	2500	562	6572	1477	1600	360	3.9	2.63	2.9	1.94	5	5	3
659	25.9	9110	2048	2500	562	6990	1571	1600	360	4.2	2.85	3.1	2.10	5	5	3
710	28.0	9640	2167	2500	562	7408	1665	1600	360	4.6	3.07	3.4	2.26	5	5	3
761	30.0	10171	2286	2500	562	7826	1759	1600	360	4.9	3.29	3.6	2.42	7	6	3
811	31.9	10691	2403	2500	562	8236	1852	1600	360	5.2	3.51	3.8	2.58	7	6	3
862	33.9	11221	2523	2500	562	8655	1946	1600	360	5.6	3.73	4.1	2.75	7	6	3
913	35.9	11751	2642	2500	562	9073	2040	1600	360	5.9	3.95	4.3	2.91	7	7	4
964	38.0	12282	2761	2500	562	9491	2134	1600	360	6.2	4.17	4.6	3.07	7	7	4
1014	39.9	12802	2878	2500	562	9901	2226	1600	360	6.5	4.39	4.8	3.23	7	7	4
1065	41.9	13332	2997	2500	562	10319	2320	1600	360	6.9	4.61	5.0	3.39	9	8	4
1116	43.9	13863	3116	2500	562	10737	2414	1600	360	7.2	4.83	5.3	3.56	9	8	4
1167	45.9	14393	3236	2500	562	11156	2508	1600	360	7.5	5.05	5.5	3.72	9	8	4
1217	47.9	14913	3352	2500	562	11566	2600	1600	360	7.8	5.27	5.8	3.88	9	9	5
1268	49.9	15443	3472	2500	562	11984	2694	1600	360	8.2	5.49	6.0	4.04	9	9	5
1319	51.9	15974	3591	2500	562	12402	2788	1600	360	8.5	5.71	6.3	4.20	9	9	5
1370	53.9	16504	3710	2500	562	12820	2882	1600	360	8.8	5.93	6.5	4.36	11	10	5
1420	55.9	17024	3827	2500	562	13230	2974	1600	360	9.1	6.15	6.7	4.52	11	10	5
1471	57.9	17555	3946	2500	562	13648	3068	1600	360	9.5	6.37	7.0	4.69	11	10	5
1522	59.9	18085	4066	2500	562	14067	3162	1600	360	9.8	6.59	7.2	4.85	11	11	6



Additional non-standard belt widths are available upon request.
 General belt tolerance is +0/-0.4% at 23°C/73°F. For exact belt width contact Customer Service.
 *Max. Load per Drive Sprocket. Belt material: POM-D 1000 N (225 lbf), PP 550 N (123 lbf).
 **Max. Spacing between wear strips, Carry: 152.0 mm (6.00 in); return: 304.0 mm (12.00 in).
 Belt needs support rollers or flanged rollers at each belt edge for support.

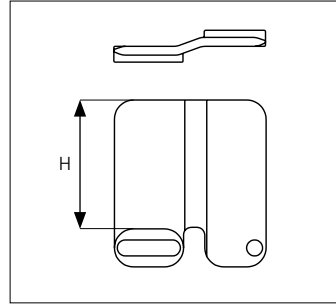
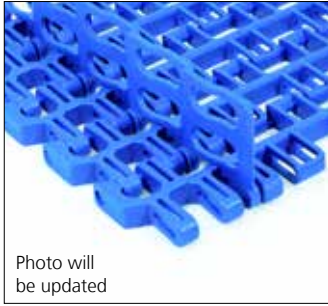
STANDARD

SIDE FLEXING

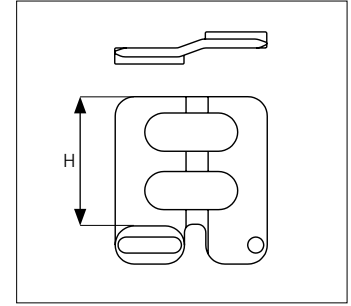
PITCH 50.8 MM/2.00 IN

Accessories

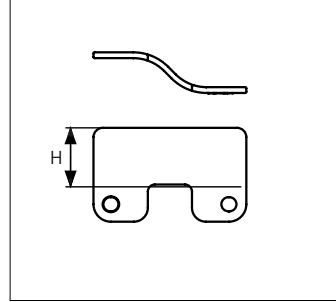
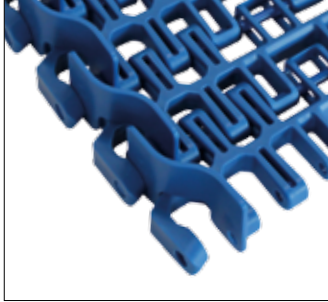
Side Guard Closed



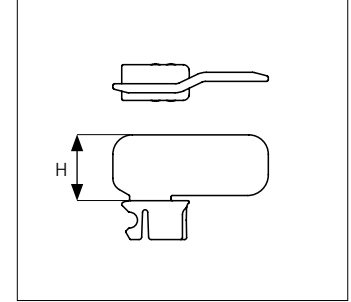
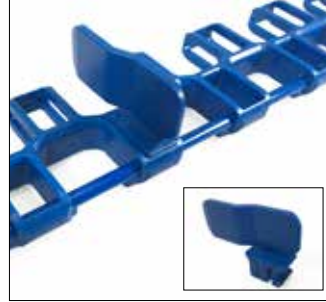
Side Guard Open



Side Guard Outside Closed



Side Guard Snap-On Closed



Type	Material & color	H	
		mm	in
Side Guard Closed	POM-D B	10.0	0.39
		25.4	1.00
		50.0	1.97
Side Guard Open		50.0	1.97
Side Guard Outside Closed		25.4	1.00
Side Guard Snap-On Closed	25.4	1.00	

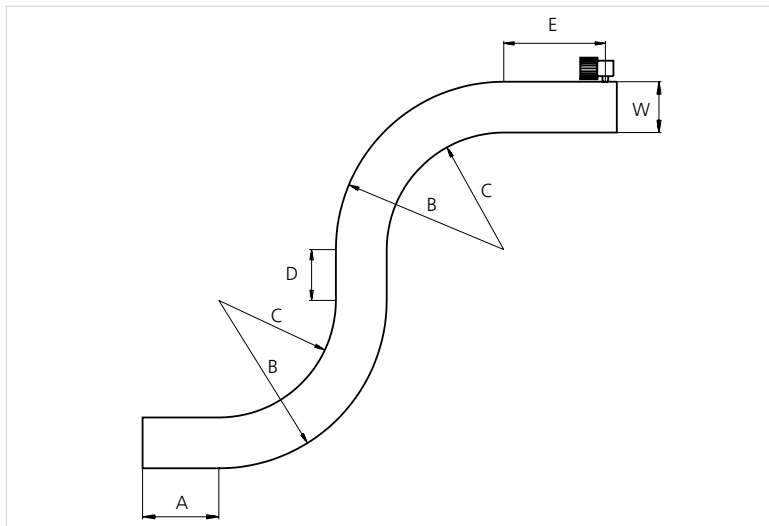
Indent for Side Guard Closed and Side Guard Open: 55.0 mm (2.17 in) or 80.0 mm (3.15 in).

Min/max indent for Side Guard Outside Closed: 10.0 mm (0.39 in).

Min indent for Side Guard Snap-On Closed: 175.0 mm (6.89 in) and Increment 50.8 mm (2.00 in).


Non Standard material and color: See uni Material and Color Overview.

Design Guidelines



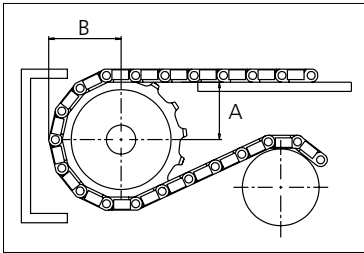
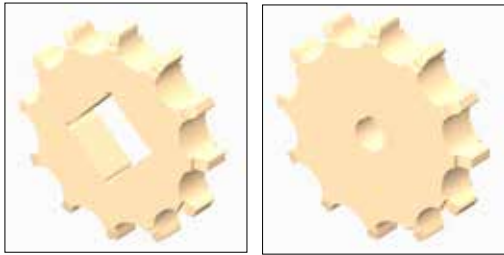
uni Flex L-OSB 65% Open Radius 1.6	
A	min. 1.5 x W
B	min 2.6 x W
C	min 1.6 x W
D	min 2.0 x W
E	min 2.0 x W, min.
W	Belt width

Sprocket

No. of teeth	Bore size								Overall diameter		Pitch diameter		Hub diameter		Dimension A		Dimension B		Single row/Two way	Machined 	
	Pilot Bore	1.00		1.25		1.50		2.50													
	mm	25.4	30.0	31.8	38.1	40.0	63.5	mm	in	mm	in	mm	in	mm	in	mm	in				
Z08	✓		●	●						134.6	5.30	131.5	5.18	107.6	4.23	54.4	2.15	74.9	2.95	✓	✓
Z10	✓		●	●	●					168.3	6.63	164.0	6.46	141.3	5.56	71.4	2.81	90.8	3.57	✓	✓
Z12	✓		●		●	●	●	■		203.5	8.01	196.5	7.74	176.5	6.94	88.2	3.47	106.8	4.20	✓	✓
Z15	✓		●		●	●	●	■		253.4	9.98	245.4	9.66	226.4	8.91	113.2	4.46	131.0	5.16	✓	✓

■ Machined sprocket

● Machined sprocket



Other sprocket sizes are available upon request
 Two-part sprocket are available upon request
 Other bore sizes are available upon request
 uni Retainer Rings: See uni Retainer Ring data sheet
 Width of tooth = 30.0 mm (1.18 in)
 Width of sprocket = 40.0 mm (1.57 in)

Max. load per sprocket shown does not take bore size into account.
 Please also ensure that sufficient size shaft is chosen for corresponding load.

For correct sprocket position: See uni Assembly Instructions for uni Flex L-OSB.
 For more detailed sprocket information, contact Customer Service.

Non standard material and color: See uni Material and Color Overview.



PAG



Conveyor Belts



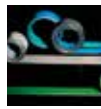
Seamless Belts



Modular Belts



Timing Belts



Transmission Belts



Fabrication & service

Expert advice, quality solutions
and local service
for all your belting needs
www.ammeraalbeltech.com

Ammeraal Beltech Modular A/S
Hjulgagervej 21
DK-7100 Vejle

T +45 7572 3100
F +45 7572 3348
admin@unichains.com
www.unichains.com

This information is subject to alteration due to continuous development. Ammeraal Beltech will not be held liable for the incorrect use of the above stated information. This information replaces previous information. All activities performed and services rendered by Ammeraal Beltech are subject to general terms and conditions of sale and delivery, as applied by its operating companies.