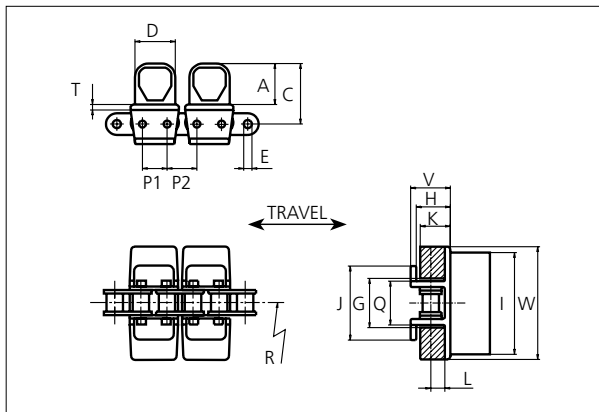




# Snap-On Plastic Chain

Series **uni 1873** Type **Grip D**



**Snap-On Plastic Chain**  
 Side flexing chain  
 Pitch: 19.1 mm (0.75 in)  
 Backflex radius: 150.0 mm (5.90 in)  
 Permissible tensile strength:  
 uni 1873 Grip D (SS304) stainless steel chain: 2000 N (450 lbf)  
 uni 1873 Grip D carbon steel chain: 4000 N (900 lbf)  
 Standard shipping lengths:  
 No. of roller chain links/box: 320 = 6.096 m (20.0 ft)  
 No. of flights/box: 160 = 6.096 m (20.0 ft)

A		C		D		E		G		H		I		J	
mm	in	mm	in	mm	in	mm	in	mm	in	mm	in	mm	in	mm	in
30.0	1.18	45.3	1.78	29.6	1.17	5.1	0.20	34.9	1.37	25.9	1.02	78.5	3.09	54.4	2.14
K		L		P1		P2		Q		T		V			
mm	in	mm	in	mm	in	mm	in	mm	in	mm	in	mm	in		
20.6	0.81	10.3	0.41	18.1	0.71	20.1	0.79	31.8	1.25	5.0	0.20	30.0	1.18		

All dimensions are for chains in POM material.

All Snap-On versions can be delivered either with a stainless steel chain (SS304) or a carbon steel chain.

	Width (W)		Flight material & color	Chain material	Weight		Min. radius R	
	mm	in			kg/m	lb/ft	mm	in
<b>K325</b>	82.6	3.25	POM-LFI BR - 04 K	SS304 or Carbon steel	2.9	1.95	356.0	14.02

Non standard material and color: See uni Material and Color Overview.

STANDARD

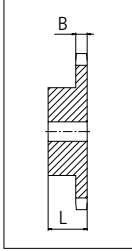
SIDE FLEXING

PITCH 19.1 MM/0.75 IN

## Sprocket

No of teeth	Pitch diameter		Hub diameter		Overall width L		Tooth width B		Bore		Machined S1045
	mm	in	mm	in	mm	in	mm	in	mm	in	
<b>Z19</b>	115.7	4.56	80.0	3.15	35.0	1.38	11.7	0.46	16.0	0.63	✓
<b>Z20</b>	121.8	4.79	80.0	3.15	35.0	1.38	11.7	0.46	16.0	0.63	✓
<b>Z25</b>	152.0	5.98	90.0	3.54	40.0	1.57	11.7	0.46	20.0	0.79	✓

Non standard material and color:  
See uni Material and Color Overview.



**Please ensure that sufficient size shaft and keyway are chosen for corresponding load.**

Other sprocket sizes are available upon request.  
uni Retainer Rings: See uni Retainer Ring data sheet.

uni 1873 GRIP D/160624



Conveyor Belts



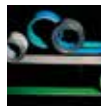
Seamless Belts



Modular Belts



Timing Belts



Transmission Belts



Fabrication & service

*Solid advice*  
*For all your belting needs*  
*Local stock & service*  
**[www.ammeraalbeltech.com](http://www.ammeraalbeltech.com)**

**Ammeraal Beltech Modular A/S**  
Hjulmagervej 21  
DK-7100 Vejle

T +45 7572 3100  
F +45 7572 3348  
admin@unichains.com  
www.unichains.com

This information is subject to alteration due to continuous development. Ammeraal Beltech will not be held liable for the incorrect use of the above stated information. This information replaces previous information. All activities performed and services rendered by Ammeraal Beltech are subject to general terms and conditions of sale and delivery, as applied by its operating companies.