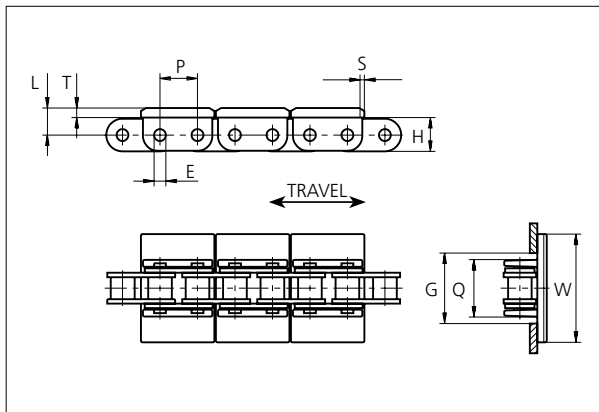




Snap-On Plastic Chain

Series **uni 843** Type **SK**



Snap-On Plastic Chain
 Straight running chain
 Pitch: 12.7 mm (0.50 in)
 Backflex radius:
 K138: 250.0 mm (9.80 in)
 K200: 150.0 mm (5.90 in)
 Permissible tensile strength:
 uni 843 SK with (SS304) stainless steel chain: 1500 N (340 lbf)
 uni 843 SK with carbon steel chain: 2000 N (450 lbf)
 Standard shipping lengths:
 No. of roller chain links/box:
 240 = 6.096 m (20.0 ft)
 No. of flights/box:
 120 = 6.096 m (20.0 ft)

	E		G		H		L		P		Q		S		T	
	mm	in	mm	in	mm	in	mm	in	mm	in	mm	in	mm	in	mm	in
K138	4.0	0.16	20.5	0.81	11.5	0.45	9.1	0.36	12.7	0.50	19.1	0.75	2.0	0.08	3.2	0.13
K200	4.0	0.16	20.5	0.81	11.5	0.45	9.1	0.36	12.7	0.50	19.1	0.75	4.0	0.16	3.2	0.13

All dimensions are for chains in POM material.

All Snap-On versions can be delivered either with a stainless steel chain (SS304) or a carbon steel chain.

	Width (W)		Flight material & color	Chain material	Weight	
	mm	in			kg/m	lb/ft
K138	34.9	1.37	POM-DI G	SS304 or Carbon steel	0.9	0.60
K200	50.8	2.00	POM-LFI BR	SS304 or Carbon steel	0.9	0.60

Non standard material and color: See uni Material and Color Overview.

STANDARD

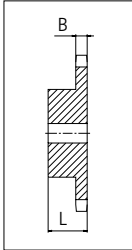
STRAIGHT RUNNING

PITCH 12.7 MM/0.50 IN



Sprocket

No. of teeth	Pitch diameter		Hub diameter		Overall width L		Tooth width B		tBore	
	mm	in	mm	in	mm	in	mm	in	mm	in
Z18	73.1	2.88	56.0	2.20	28.0	1.10	7.2	0.28	12.0	0.47
Z25	101.3	3.99	70.0	2.76	28.0	1.10	7.2	0.28	14.0	0.55



Please ensure that sufficient size shaft and keyway are chosen for corresponding load.

Non standard material and color:
See uni Material and Color Overview.

Other sprocket sizes are available upon request
uni Retainer Rings: See uni Retainer Ring data sheet

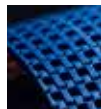
uni 843 SK/160621



Conveyor Belts



Seamless Belts



Modular Belts



Timing Belts



Transmission Belts



Fabrication & service

Solid advice
For all your belting needs
Local stock & service
www.ammeraalbeltech.com

Ammeraal Beltech Modular A/S
Hjulmagervej 21
DK-7100 Vejle

T +45 7572 3100
F +45 7572 3348
admin@unichains.com
www.unichains.com

This information is subject to alteration due to continuous development. Ammeraal Beltech will not be held liable for the incorrect use of the above stated information. This information replaces previous information. All activities performed and services rendered by Ammeraal Beltech are subject to general terms and conditions of sale and delivery, as applied by its operating companies.