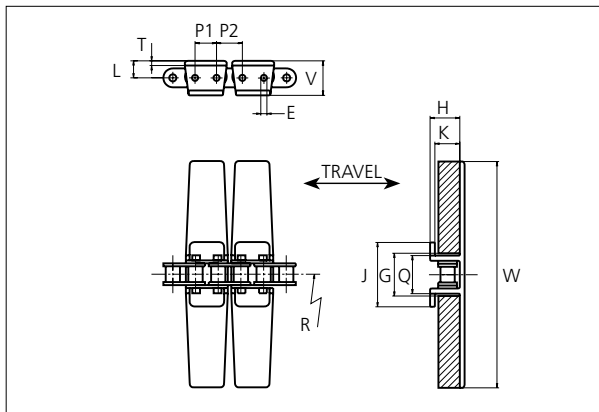




Snap-On Plastic Chain

Series **uni 1873** Type -



Snap-On Plastic Chain
 Side flexing chain
 Pitch: 19.1 mm (0.75 in)
 Backflex radius: 150.0 mm (5.90 in)
 Permissible tensile strength:
 uni 1873 with (SS304) stainless steel chain: 2000 N (450 lbf)
 uni 1873 with carbon steel chain: 4000 N (900 lbf)
 Standard shipping lengths:
 No. of roller chain links/box:
 160 = 3.048 m (10.0 ft)
 No. of flights/box:
 80 = 3.048 m (10.0 ft)

E		G		H		J		K		L		P1		P2		Q		T		V	
mm	in	mm	in	mm	in	mm	in	mm	in	mm	in	mm	in	mm	in	mm	in	mm	in	mm	in
5.1	0.20	34.9	1.37	25.0	0.98	54.5	2.15	21.0	0.83	14.3	0.56	18.1	0.71	20.1	0.79	31.8	1.25	4.0	0.16	29.0	1.14

All dimensions are for chains in POM material.

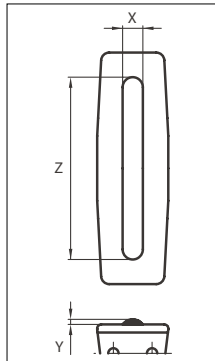
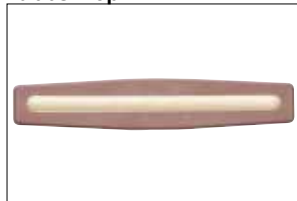
All Snap-On versions can be delivered either with a stainless steel chain (SS304) or a carbon steel chain.

	Width (W)		Flight material & color	Chain material	Weight		Min. radius R	
	mm	in			kg/m	lb/ft	mm	in
K225	57.2	2.25	-	-	-	-	-	-
K250	63.5	2.50	-	-	-	-	-	-
K325	82.6	3.25	POM-LFI BR	SS304 or Carbon steel	2.1	1.41	356.0	14.02
K450	114.3	4.50	POM-DI G	SS304 or Carbon steel	2.3	1.55	356.0	14.02
K600	152.4	6.00	-	-	-	-	-	-
K750	190.5	7.50	-	-	-	-	-	-
K1000	254.0	10.00	-	-	-	-	-	-
K1200	304.8	12.00	POM-LFI BR	SS304 or Carbon steel	3.0	2.02	457.0	17.99

Non standard material and color: See uni Material and Color Overview.

Accessories

Rubber Top



When ordering, please state the required distance between the Rubber Top.

Other Non Standard rubber profiles: See uni Rubber Profile Overview.

Width	Link material	Rubber material	Z		X		Y	
			mm	in	mm	in	mm	in
K325	POM-LFI BR	05 I	60.0	2.36	10.0	0.39	2.5	0.10
K450	POM-DI G	05 I	90.0	3.54	10.0	0.39	2.5	0.10
K1200	POM-LFI BR	05 I	295.0	11.61	8.0	0.31	2.5	0.10



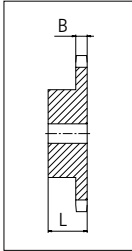
STANDARD

SIDE FLEXING

PITCH 19.1 MM/0.75 IN

Sprocket

No of teeth	Pitch diameter		Hub diameter		Overall width L		Tooth width B		Bore		Machined S1045
	mm	in	mm	in	mm	in	mm	in	mm	in	
Z19	115.7	4.56	80.0	3.15	35.0	1.38	11.7	0.46	16.0	0.63	✓
Z20	121.8	4.79	80.0	3.15	35.0	1.38	11.7	0.46	16.0	0.63	✓
Z25	152.0	5.98	90.0	3.54	40.0	1.57	11.7	0.46	20.0	0.79	✓



Please ensure that sufficient size shaft and keyway are chosen for corresponding load.

Non standard material and color:
See uni Material and Color Overview.

Other sprocket sizes are available upon request.
uni Retainer Rings: See uni Retainer Ring data sheet.

uni 1873/160621



Solid advice
For all your belting needs
Local stock & service
www.ammeraalbeltech.com

Ammeraal Beltech Modular A/S
Hjulmagervej 21
DK-7100 Vejle

T +45 7572 3100
F +45 7572 3348
admin@unichains.com
www.unichains.com

This information is subject to alteration due to continuous development. Ammeraal Beltech will not be held liable for the incorrect use of the above stated information. This information replaces previous information. All activities performed and services rendered by Ammeraal Beltech are subject to general terms and conditions of sale and delivery, as applied by its operating companies.