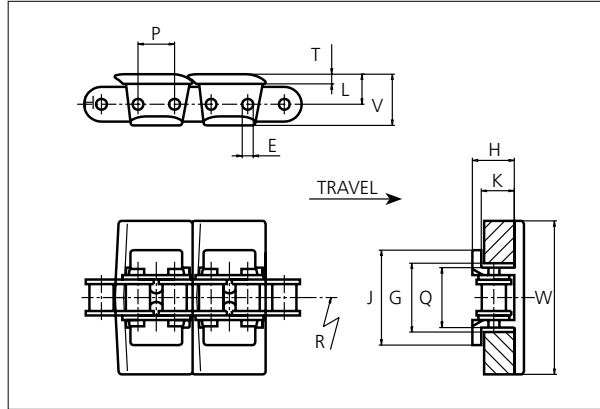




Snap-On Plastic Chain

Series **uni 1843** Type -



Snap-On Plastic Chain
 Side flexing chain
 Pitch: 12.7 mm (0.50 in)
 Backflex radius: 155.0 mm (6.10 in)
 Permissible tensile strength:
 uni 1843 with (SS304) stainless steel chain: 2000 N (450 lbf)
 uni 1873 with carbon steel chain: 1500 N (3400 lbf)
 Standard shipping lengths:
 No. of roller chain links/box:
 240 = 3.048 m (10.0 ft)
 No. of flights/box:
 120 = 3.048 m (10.0 ft)

STANDARD

E		G		H		J		K		L		P		Q		T		V	
mm	in	mm	in	mm	in	mm	in	mm	in	mm	in	mm	in	mm	in	mm	in	mm	in
3.6	0.14	22.0	0.87	13.8	0.54	31.4	1.24	10.8	0.43	9.3	0.37	12.7	0.50	19.8	0.78	3.3	0.13	17.1	0.67

All dimensions are for chains in POM material.

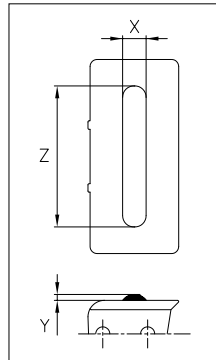
All Snap-On versions can be delivered either with a stainless steel chain (SS304) or a carbon steel chain.

	Width (W)		Flight material & color	Chain material	Weight		Min. radius R	
	mm	in			kg/m	lb/ft	mm	in
K125	31.5	1.25	POM-LFI BR	SS304 or Carbon steel	0.8	0.54	254.0	10.00
K150	37.9	1.50	-	-	-	-	-	-
K200	50.6	2.00	POM-LFI BR	SS304 or Carbon steel	0.9	0.60	254.0	10.00
K325	82.6	3.25	POM-LFI BR	SS304 or Carbon steel	1.0	0.67	254.0	10.00

Non standard material and color: See uni Material and Color Overview.

Accessories

Rubber Top / NON STANDARD



When ordering, please state the required distance between the Rubber Top.

Other Non Standard rubber profiles: See uni Rubber Profile Overview.

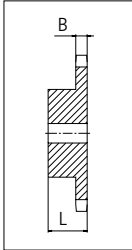
Width	Recommended link material	Recommended rubber material	Z		X		Y	
			mm	in	mm	in	mm	in
K125	POM-LFI BR	05 I	25.0	0.98	10.0	0.39	3.0	0.12
K150	POM-LFI BR	05 I	30.0	1.18	10.0	0.39	1.0	0.04
K200	POM-LFI BR	05 I	40.0	1.57	10.0	0.39	0.5	0.02
K325	POM-LFI BR	05 I	60.0	2.32	10.0	0.39	5.0	0.20

SIDE FLEXING

PITCH 12.7 MM/0.50 IN

Sprocket

No of teeth	Pitch diameter		Hub diameter		Overall width L		Tooth width B		Bore		Machined S1045
	mm	in	mm	in	mm	in	mm	in	mm	in	
Z18	73.1	2.88	56.0	2.20	28.0	1.10	7.2	0.28	12.0	0.47	✓
Z25	101.3	3.99	70.0	2.76	28.0	1.10	7.2	0.28	14.0	0.55	✓



Please ensure that sufficient size shaft and keyway are chosen for corresponding load.

Non standard material and color:
See uni Material and Color Overview.

Other sprocket sizes are available upon request.
uni Retainer Rings: See uni Retainer Ring data sheet.

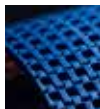
uni 1843/160621



Conveyor Belts



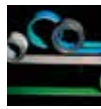
Seamless Belts



Modular Belts



Timing Belts



Transmission Belts



Fabrication & service

Solid advice
For all your belting needs
Local stock & service
www.ammeraalbeltech.com

Ammeraal Beltech Modular A/S
Hjulmagervej 21
DK-7100 Vejle

T +45 7572 3100
F +45 7572 3348
admin@unichains.com
www.unichains.com

This information is subject to alteration due to continuous development. Ammeraal Beltech will not be held liable for the incorrect use of the above stated information. This information replaces previous information. All activities performed and services rendered by Ammeraal Beltech are subject to general terms and conditions of sale and delivery, as applied by its operating companies.