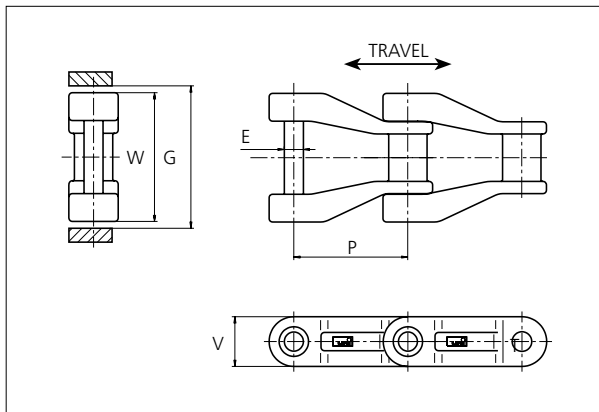




# Special Plastic Chain

Series **uni NH78** Type -



**Special Plastic Chain**  
 Straight running chain  
 Pitch: 66.3 mm (2.61 in)  
 Backflex radius: 75 mm (3 in)  
 Permissible tensile strength:  
 T1: (POM) 9000 N\* (2023 lbf)  
 T2: (POM) 7000 N (1574 lbf)  
 T3: (POM) 6000 N (1349 lbf)  
 T4: (POM) 6000 N (1349 lbf)  
 T5: (POM) 5000 N (1124 lbf)  
 \* For PA6: 7000 N (1574 lbf)

Standard shipping lengths:  
 boxes of 92 links = 6.100 m  
 (20.0 ft)

STANDARD

E		G		P		V	
mm	in	mm	in	mm	in	mm	in
11.0	0.43	78.0	3.07	66.3	2.61	28.6	1.13

All dimensions are for chains in POM material.

## Standard material & colors

	Width (W)		Material & color	Pin material	Pin fixing	Pin ø		Weight	
	mm	in				mm	in	kg/m	lb/ft
<b>uni NH78 T1</b>	74.0	2.91	POM-LF <span style="background-color: #c00000; color: white; padding: 2px;">BR</span> POM-D <span style="background-color: #808080; color: white; padding: 2px;">G</span>	<span style="background-color: #cccccc; padding: 2px;">SS304</span>	Staked	11.0	0.43	2.1	1.41


STRAIGHT RUNNING

## Non Standard material & colors

	Width (W)		Material & color	Pin material	Pin fixing	Pin ø		Weight	
	mm	in				mm	in	kg/m	lb/ft
<b>uni NH78 T1</b>	74.0	2.91	POM-D <span style="background-color: #808080; color: white; padding: 2px;">G</span>	<span style="background-color: #cccccc; padding: 2px;">SS304</span>	Staked	11.0	0.43	2.1	1.41
<b>uni NH78 T2</b>	74.0	2.91	PBT-GR <span style="background-color: #000000; color: white; padding: 2px;">K</span> PA6-GF <span style="background-color: #000000; color: white; padding: 2px;">K</span>	<span style="background-color: #cccccc; padding: 2px;">SS304</span>	Staked	11.0	0.43	2.1	1.41
<b>uni NH78 T3</b>	74.0	2.91	PA6-GF <span style="background-color: #000000; color: white; padding: 2px;">K</span>	<span style="background-color: #cccccc; padding: 2px;">SS304</span>	Staked (PE sleeve)	10.0	0.39	2.1	1.41
<b>uni NH78 T4</b>	74.0	2.91	PA6-GF <span style="background-color: #000000; color: white; padding: 2px;">K</span>	<span style="background-color: #cccccc; padding: 2px;">SS304</span>	Cotterpin (PE sleeve)	10.0	0.39	2.1	1.41
<b>uni NH78 T5</b>	74.0	2.91	PP-AR <span style="background-color: #ffff00; border: 1px solid black; padding: 2px;">N</span>	<span style="background-color: #cccccc; padding: 2px;">SS304</span>	Staked	11.0	0.43	2.1	1.41

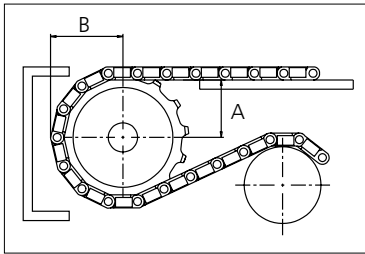
PITCH 66.3 MM/2.61 IN

## Sprocket

No. of teeth	Pitch diameter		Overall-diameter		Min. ø bore		Max. ø bore		Hub-diameter		A-dimension		B-dimension		 Machined PA6
	mm	in	mm	in	mm	in	mm	in	mm	in	mm	in	mm	in	
<b>Z6</b>	132.6	5.22	137.4	5.40	20.0	0.80	40.0	1.60	65.0	2.60	43.1	1.70	80.6	3.20	✓
<b>Z8</b>	173.3	6.82	182.6	7.20	20.0	0.80	40.0	1.60	65.0	2.60	65.8	2.60	100.9	4.00	✓
<b>Z10</b>	214.5	8.44	226.6	8.90	20.0	0.80	50.0	2.00	73.5	2.90	87.7	3.50	121.6	4.80	✓

Non standard material and color:  
See uni Material and Color Overview.

### Machined sprocket



Please ensure that sufficient size shaft and keyway are chosen for corresponding load.

Other sprocket sizes are available upon request  
 Width of tooth: 15.8 mm/0.62 in  
 Width of sprocket: 42.3 mm/1.67 in  
 uni Retainer Rings: See uni Retainer Ring data sheet

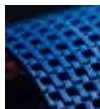
uni NH78/160621



Conveyor Belts



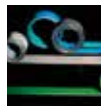
Seamless Belts



Modular Belts



Timing Belts



Transmission Belts



Fabrication & service

Expert advice, quality solutions and local service for all your belting needs  
[www.ammeraalbeltech.com](http://www.ammeraalbeltech.com)

**Ammeraal Beltech Modular A/S**  
 Hjulmagervej 21  
 DK-7100 Vejle

T +45 7572 3100  
 F +45 7572 3348  
 admin@unichains.com  
 www.unichains.com

This information is subject to alteration due to continuous development. Ammeraal Beltech will not be held liable for the incorrect use of the above stated information. This information replaces previous information. All activities performed and services rendered by Ammeraal Beltech are subject to general terms and conditions of sale and delivery, as applied by its operating companies.