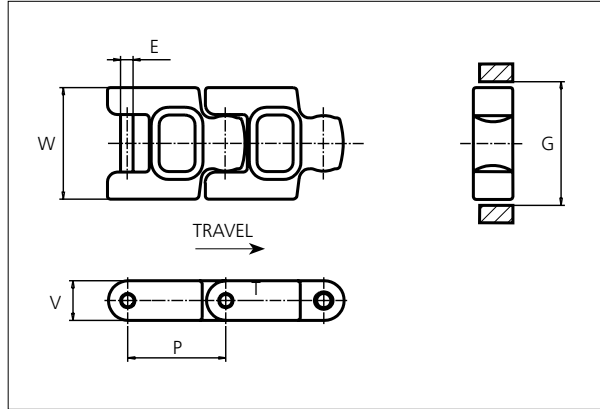




Special Plastic Chain

Series **uni 3200** Type -



Special Plastic Chain
 Straight running chain
 Pitch: 50.8 mm (2.00 in)
 Backflex radius:
 60.0 mm (2.40 in)
 Permissible tensile strength:
 POM material:
 3150 N (708 lbf)

 Standard shipping lengths:
 boxes of 120 links
 = 6.096 m (20.0 ft)

STANDARD

E		G		P		V	
mm	in	mm	in	mm	in	mm	in
6.4	0.25	59.5	2.34	50.8	2.00	20.3	0.80

All dimensions are for chains in POM material.


Width (W)		Material & color	Pin material	Weight	
mm	in			kg/m	lb/ft
57.2	2.25	POM-DI G	SS304	57.2	2.25

Non standard material and color: See uni Material and Color Overview.
 Non standard pin material: See uni Material and Color Overview.

STRAIGHT RUNNING

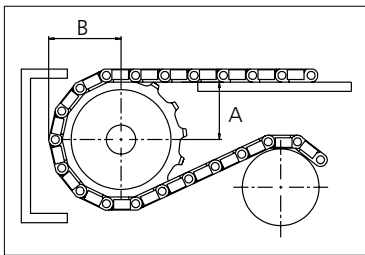
PITCH 50.8 MM/2.00 IN

Sprocket

No of teeth	Pitch diameter		Overall-diameter		Min. ø bore		Max. ø bore		Hub-diameter		Dimension A		Dimension B		 Machined PAG
	mm	in	mm	in	mm	in	mm	in	mm	in	mm	in	mm	in	
Z8	132.9	5.23	134.0	5.30	19.1	0.80	40.0	1.60	65.0	2.60	51.2	2.00	79.6	3.10	✓
Z10	164.5	6.48	160.0	6.30	19.1	0.80	40.0	1.60	65.0	2.60	68.0	2.70	92.4	3.60	✓
Z10	164.5	6.48	160.0	6.30	40.0	1.60	70.0	2.80	120.0	4.70	68.0	2.70	92.4	3.60	✓
Z12	194.4	7.65	204.0	8.00	19.1	0.80	40.0	1.60	65.0	2.60	84.7	3.30	108.4	4.30	✓
Z12	194.4	7.65	204.0	8.00	40.0	1.60	70.0	2.80	120.0	4.70	84.7	3.30	108.4	4.30	✓
Z15	244.4	9.62	250.0	9.80	19.1	0.80	40.0	1.60	65.0	2.60	109.4	4.30	132.4	5.20	✓
Z15	244.4	9.62	250.0	9.80	40.0	1.60	70.0	2.80	120.0	4.70	109.4	4.30	132.4	5.20	✓

Non standard material and color:
See uni Material and Color Overview.

Machined sprocket



Please ensure that sufficient size shaft and keyway are chosen for corresponding load.

Other sprocket sizes are available upon request
Width of tooth: 25.0 mm/1.00 in
Width of sprocket: 42.3 mm/1.70 in
uni Retainer Rings: See uni Retainer Ring data sheet

uni 3200/160621



Conveyor Belts



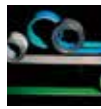
Seamless Belts



Modular Belts



Timing Belts



Transmission Belts



Fabrication & service

Solid advice
For all your belting needs
Local stock & service
www.ammeraalbeltech.com

Ammeraal Beltech Modular A/S
Hjulmagervej 21
DK-7100 Vejle

T +45 7572 3100
F +45 7572 3348
admin@unichains.com
www.unichains.com

This information is subject to alteration due to continuous development. Ammeraal Beltech will not be held liable for the incorrect use of the above stated information. This information replaces previous information. All activities performed and services rendered by Ammeraal Beltech are subject to general terms and conditions of sale and delivery, as applied by its operating companies.