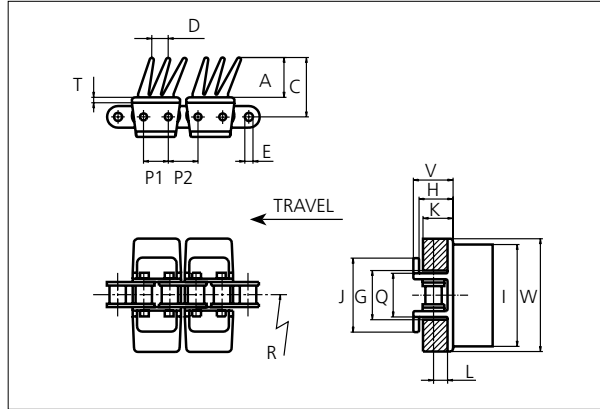




# Snap-On Plastic Chain

Series **uni 1873** Type **Grip G3**



**Snap-On Plastic Chain**  
 Side flexing chain  
 Pitch: 19.1 mm (0.75 in)  
 Backflex radius: 150.0 mm (5.90 in)  
 Permissible tensile strength:  
 uni 1873 Grip G3 (uni 304) stainless steel chain: 2000 N (450 lbf)  
 uni 1873 Grip G3 carbon steel chain: 4000 N (900 lbf)  
 Standard shipping lengths:  
 No. of roller chain links/box: 320 = 6.096 m (20.0 ft)  
 No. of flights/box: 160 = 6.096 m (20.0 ft)

NON STANDARD

A		C		D		E		G		H		I		J	
mm	in	mm	in	mm	in	mm	in	mm	in	mm	in	mm	in	mm	in
29.0	1.14	44.3	1.74	12.0	0.47	5.1	0.20	34.9	1.37	25.9	1.02	75.0	2.95	54.4	2.14
K		L		P1		P2		Q		T		V			
mm	in	mm	in	mm	in	mm	in	mm	in	mm	in	mm	in		
20.6	0.81	10.3	0.41	18.1	0.71	20.1	0.79	31.8	1.25	5.0	0.20	30.0	1.18		

All dimensions are for chains in POM material.

All Snap-On versions can be delivered either with a stainless steel chain (uni 304) or a carbon steel chain.

	Width (W)		Recommended flight material & color	Recommended chain material	Weight		Min. radius R	
	mm	in			kg/m	lb/ft	mm	in
<b>K325</b>	82.6	3.25	POM-D <span style="border: 1px solid black; padding: 2px;">G</span> - 01 <span style="border: 1px solid black; padding: 2px;">N</span> POM-LFI <span style="border: 1px solid black; padding: 2px;">BR</span> - 04 <span style="border: 1px solid black; padding: 2px;">K</span>	<b>SS304</b> or <b>Carbon steel</b>	-	-	-	-

Non standard material and color: See uni Material and Color Overview.

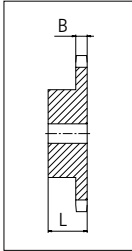
SIDE FLEXING

PITCH 19.1 MM/0.75 IN



## Sprocket

No of teeth	Pitch diameter		Hub diameter		Overall width L		Tooth width B		Bore		Machined S1045
	mm	in	mm	in	mm	in	mm	in	mm	in	
<b>Z19</b>	115.7	4.56	80.0	3.15	35.0	1.38	11.7	0.46	16.0	0.63	✓
<b>Z20</b>	121.8	4.79	80.0	3.15	35.0	1.38	11.7	0.46	16.0	0.63	✓
<b>Z25</b>	152.0	5.98	90.0	3.54	40.0	1.57	11.7	0.46	20.0	0.79	✓



**Please ensure that sufficient size shaft and keyway are chosen for corresponding load.**

Non standard material and color:  
See uni Material and Color Overview.

Other sprocket sizes are available upon request.  
uni Retainer Rings: See uni Retainer Ring data sheet.

uni 1873 Grip G3/160621



Expert advice, quality solutions and local service for all your belting needs  
[www.ammeraalbeltech.com](http://www.ammeraalbeltech.com)

**Ammeraal Beltech Modular A/S**  
Hjulgagervej 21  
DK-7100 Vejle

T +45 7572 3100  
F +45 7572 3348  
admin@unichains.com  
www.unichains.com

This information is subject to alteration due to continuous development. Ammeraal Beltech will not be held liable for the incorrect use of the above stated information. This information replaces previous information. All activities performed and services rendered by Ammeraal Beltech are subject to general terms and conditions of sale and delivery, as applied by its operating companies.